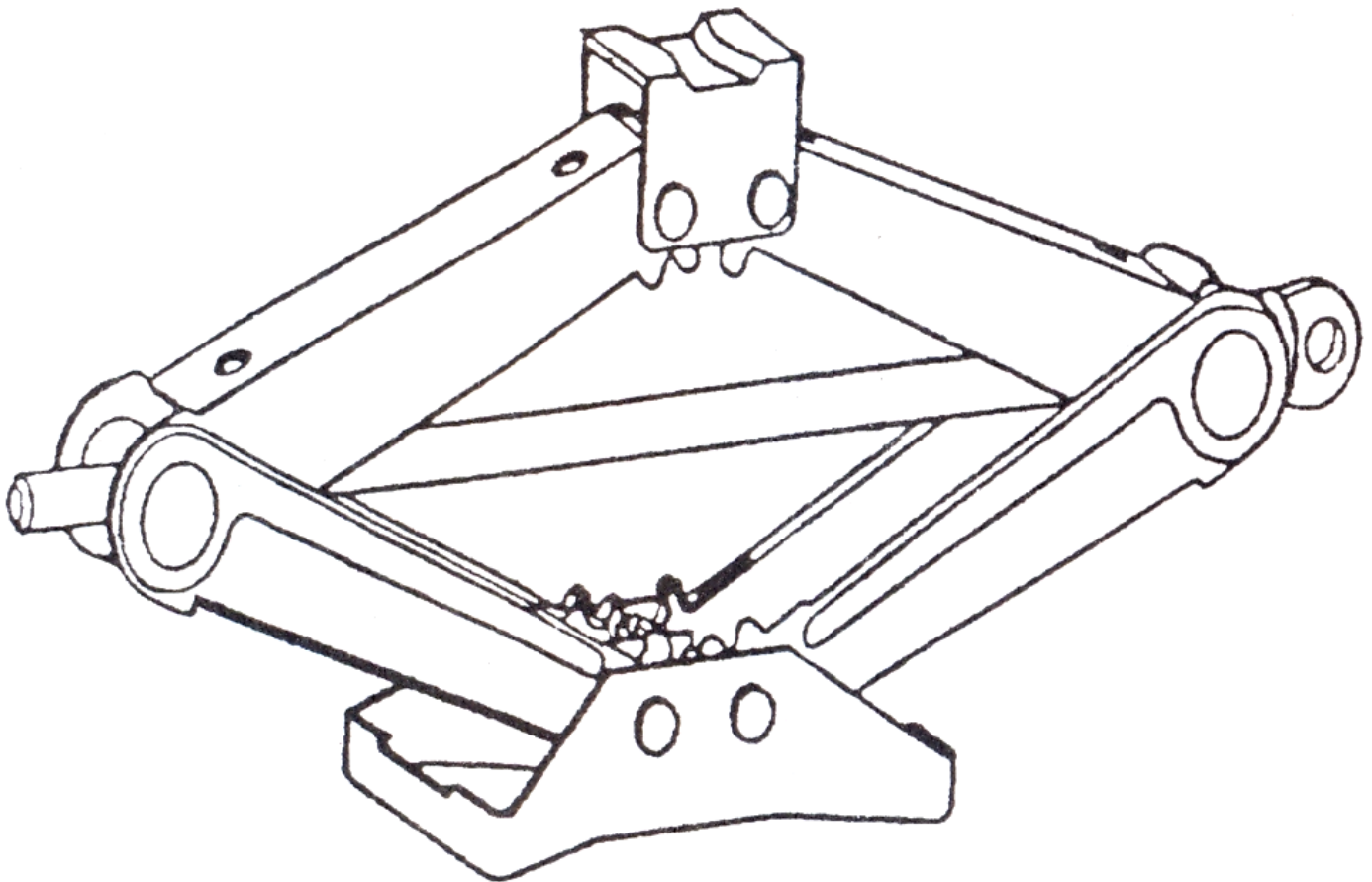




# Scissors Jack 1T, 2T

T10102, T10202  
(26844, 26845)

## Manual



**For your own safety:**

Before use, carefully read and then keep this user manual for future reference.



**CAUTION:**

This device is intended for lifting. The jack can be used only on a firm, leveled surface. Always secure the wheel and pull the handbrake vehicle to be lifted. To support vehicles use the dedicated support. Do not burden lift more than its rated capacity. Before raising the vehicle, be sure the jack is in good condition.

**PROCESS:****1) BEFORE CHANGING A WHEEL**

- The vehicle on a flat, stable surface.
- With automatic transmission, set the parking position, a manual transmission shift into reverse.
- Apply the parking brake and turn the "blinkers".
- Block the front and rear wheels, which is diagonally opposite the wheel, you are going to change. (Example: When disassembling and assembling the left front wheel lock right rear wheel).
- Loosen the wheel bolts, but do not pull it out.
- Perched on the jack, turn the jack lift the supporting part for supporting the edge of the vehicle. Position the jack at the place designated for supporting jack the vehicle manufacturer.
- Lift the arm further by turning the rod until it snaps precisely to the specified area.

**2) LIFTING THE VEHICLE**

- Raise the vehicle until the wheel is designed for breaking off the ground.
- Remove the screws and remove the wheel.
- The drive wheels that are going to mount, remove all debris, especially from surfaces.
- Tighten each screw by hand only.

**3) LOWERING THE VEHICLE**

- Lower the vehicle completely down.
- Wrench to tighten all screws.
- Remove the locking wedges from a blocked wheel.
- Safely store the removed wheel and jack incl. used equipment and accessories.

**MAINTENANCE, INSPECTION AND REPAIR**

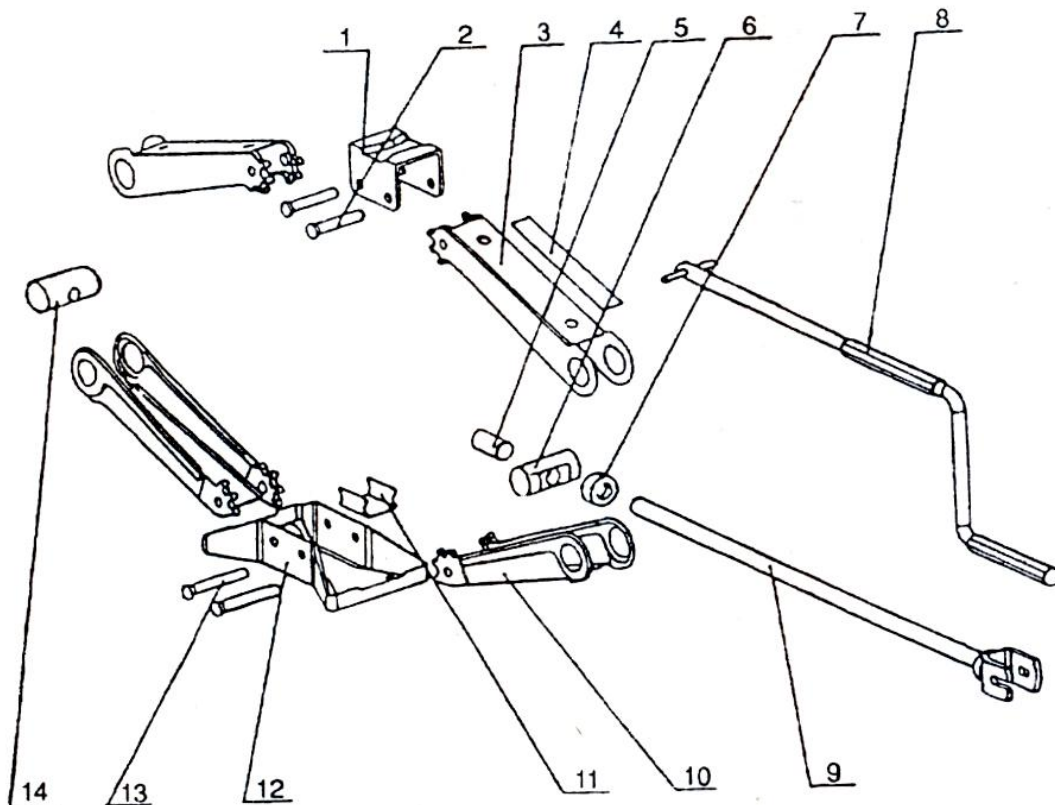
- Keep the jack clean and lubricate the moving parts regularly corresponding with grease every three months.
- When the lift is not in use, store it in a fully lowered position.
- Check the jack should be performed before each use. Cracked welds, damaged or missing parts may affect the proper operation of the jack and your safety.
- Due to the potential risk of injury are prohibited any adjustment jack.

**TECHNICAL INFORMATIONS**

Item	Capacity	Min. Height	Max. Height
26844 (T10102)	1.000 kg	88 mm	383 mm
26845 (T10202)	2.000 kg	90 mm	380 mm

Construction diagram

Číslo	Description	ks
1	Saddle	1
2	Rivet of saddle	2
3	Upper arm	2
4	Label	1
5	Collar	1
6	Bracket	1
7	Bearing	1
8	Handle	1
9	Threaded rod	1
10	Lower arm	2
11	Inner stay	1
12	Base	1
13	Rivet of base	2
14	Nut	1



### General Warranty Conditions

The importer of the product - Levior Ltd. provides for its products under the Commercial / Civil Code guarantee 6/24 months from the date of purchase.

1. The warranty covers defects and malfunctions that during the 6/24 month warranty period incurred a material defect. These defects will be repaired free of charge within 31 days from the date of receipt of the product from the store. Date of purchase must be shown properly completed guarantee certificate, invoice, receipt). Other claims relating to damage of any kind, direct or indirect, against persons or property are excluded.
2. The warranty does not cover defects caused by improper use, overloading, failure to comply with the instructions provided in the manual, the use of incorrect or improper accessories or tools, intervention by unauthorized persons, natural wear and tear or damage during transport. It also does not include accessories and parts that need periodic replacement.
3. If the fault is found to be subject to the warranty, all costs associated with the performance of a service technician according to the valid price list and shipping the product back to the owner of the product.
4. When making a claim on the warranty must be submitted to warranty card, which is only valid if it is dated production and sales, the stamp and signature of sales or proof of purchase receipt.
5. Warranty claim the dealer where you purchased the product. The seller is required to fill out the warranty card (date of sale, vendor stamp and signature). All such claims shall be filed immediately upon sale.
6. The products should be sent for repair only with a detailed description of the problem, the attached warranty, the best in original packaging, which for these purposes should be kept.
7. Products pass on to the service net of impurities. Otherwise, for hygienic reasons, can not take, or is required to charge a cleaning fee.